



### Applications

- 토목건축공사의 배수용
- 지하철, 통신구, 전력구 지하 집수조 배수용
- 조선소, 광산의 용수취수 및 배수용
- 골프장, 저수지등 원거리 가압 및 급수 배수용

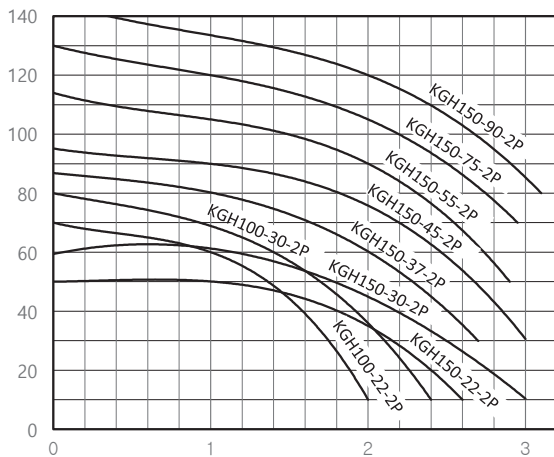
### Features

- 대형 토목공사의 대용량 고양정 배수
- 대단위 집수정의 급수 배수

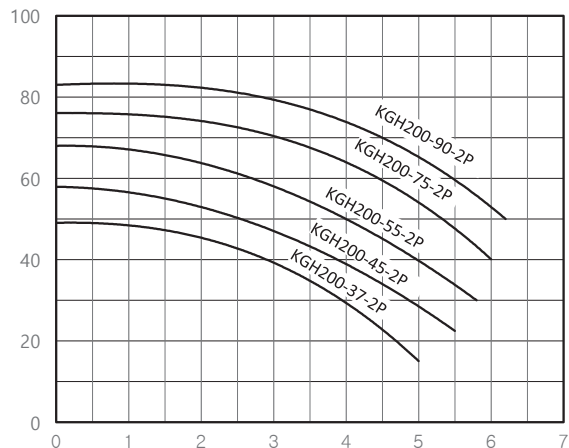
### Standard Specification

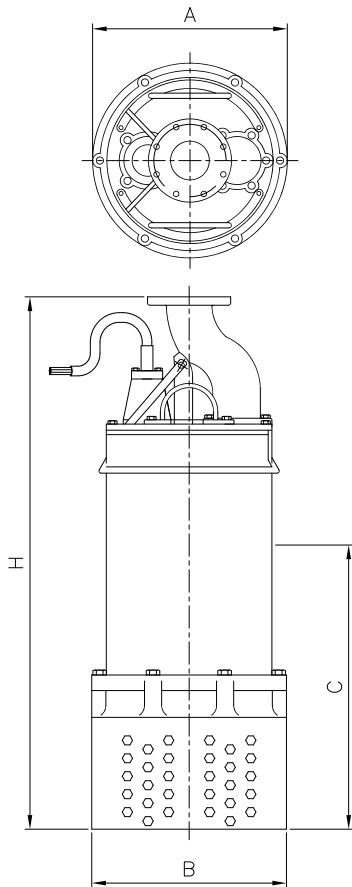
No	Model	Bore	Power		Capacity	Head	Revolution	Note
		mm	HP	kW	m <sup>3</sup> /min	m	rpm	
1	KGH 100-22-2P	100	30	22	1.0	60	3600	
2	KGH 100-30-2P	100	40	30	1.4	60	3600	
3	KGH 150-22-2P	150	30	22	2.0	35	3600	
4	KGH 150-30-2P	150	40	30	2.7	35	3600	
5	KGH 150-37-2P	100	50	37	2.0	60	3600	
6	KGH 150-45-2P	100	60	45	2.5	60	3600	
7	KGH 150-55-2P	100	75	55	2.0	90	3600	
8	KGH 150-75-2P	150	100	75	2.0	105	3600	
9	KGH 150-90-2P	150	120	90	2.0	120	3600	
10	KGH 200-37-2P	200	50	37	3.6	35	3600	
11	KGH 200-45-2P	200	60	45	4.5	35	3600	
12	KGH 200-55-2P	200	75	55	4.0	50	3600	
13	KGH 200-75-2P	200	100	75	4.5	60	3600	
14	KGH 200-90-2P	200	120	90	4.5	70	3600	

### Selection Charts



### Selection Charts



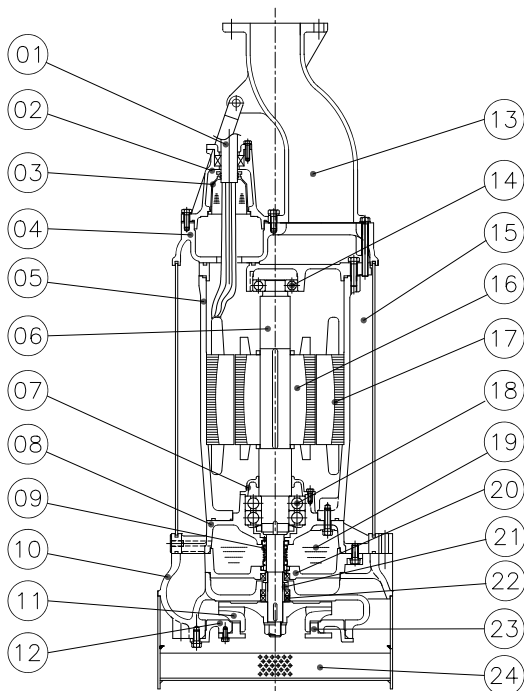


### Outline Dimensions

No.	Model	Bore $\phi$	A	B	C	H	Kg
1	KGH 100-22-2P	100	470	470	270	1350	410
2	KGH 100-30-2P	100	470	470	270	1350	450
3	KGH 150-22-2P	150	470	470	270	1350	420
4	KGH 150-30-2P	150	470	470	270	1350	460
5	KGH 150-37-2P	150	550	550	300	1430	570
6	KGH 150-45-2P	150	550	550	300	1430	610
7	KGH 150-55-2P	150	620	560	400	1510	860
8	KGH 150-75-2P	150	620	560	400	1510	930
9	KGH 150-90-2P	150	620	560	400	1510	960
10	KGH 200-37-2P	200	550	550	300	1430	580
11	KGH 200-45-2P	200	550	550	300	1430	620
12	KGH 200-55-2P	200	620	560	400	1510	870
13	KGH 200-75-2P	200	620	560	400	1510	940
14	KGH 200-90-2P	200	620	560	400	1510	970

※ 상기 치수는 제작에 따라 다소 차이가 날 수 있습니다.

### Sectional Drawing



NO.	PART NAME	MERTERIAL
1	CAP TYRE CABLE	PNCT-R
2	CABLE COVER	GC 200
3	PROTECTED	N.B.R
4	MOTOR BRAKET	GC 200
5	MOTOR FRAME	GC 200
6	SHAFT	STS 410
7	BEARING COVER	GC 200
8	BEARING HOUSING	GC 200
9	MECHANICAL SEAL	SIC/SIC
10	PUMP CASING	GC 200
11	IMPELLER	GCD 450
12	SUCTION COVER	GC 200
13	PLANGE COUPLING	GC 200
14	UPPER BEARING	STB 2
15	OUT COVER	SS 400
16	ROTOR	S-60
17	STATOR	S-60
18	LOWER BEARING	STB 2
19	OIL	TURBINE OIL
20	SEAL CHAMBER	GC 200
21	SLEEVE	STS 410
22	OIL SEAL	N.B.R
23	MOUTH RING	GCD 450
24	STRAINER	SS 400