



Applications

- 폐수, 하수 처리장 배수용
- 저지대 빗물펌프장의 침수방지배수용
- 대단위 공업용수 및 농업용수 취수용
- 대용량의 양수장 및 생활용수 취수장
- 장식용 분수 및 폭포수 급수용

Features

- 다극 유도전동기 사용으로 내구성 증대
- 유량에 따른 다극 전동기 적용
- Non-Clog Impeller사용으로 이물질 막힘 최소화

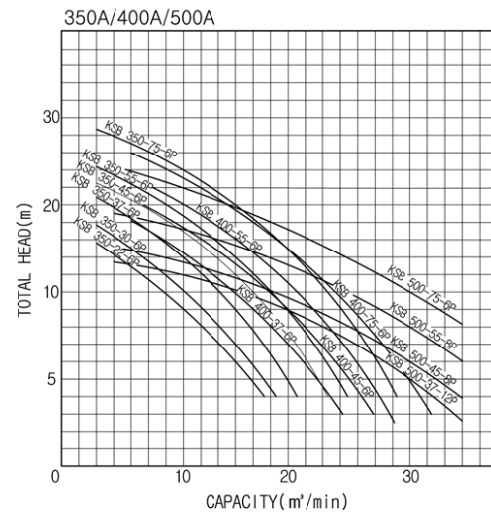
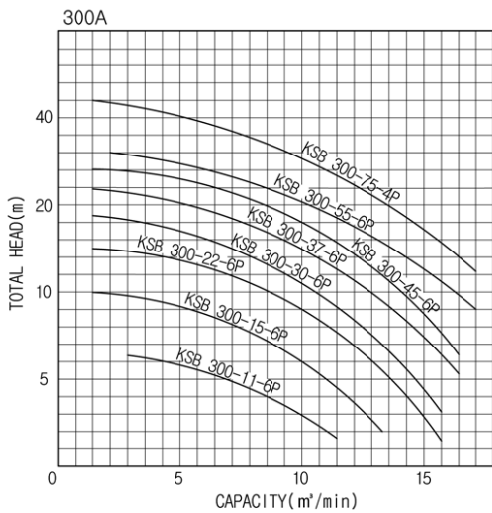
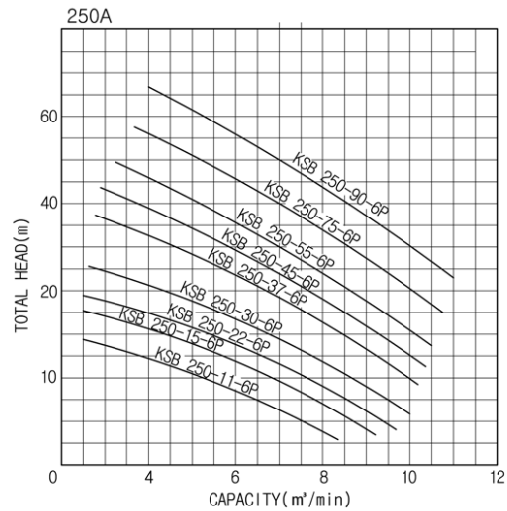
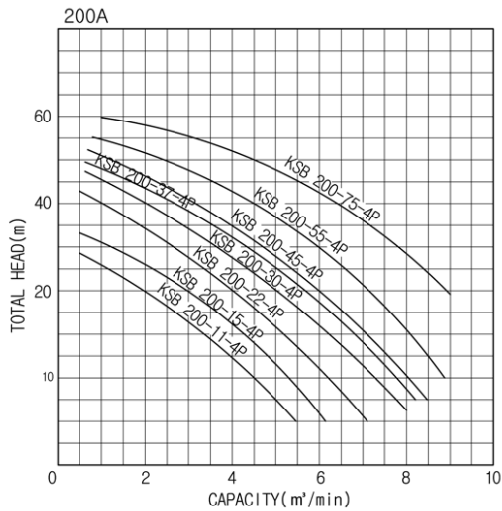
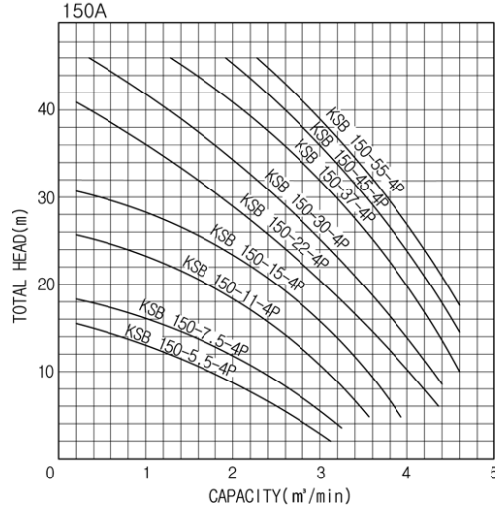
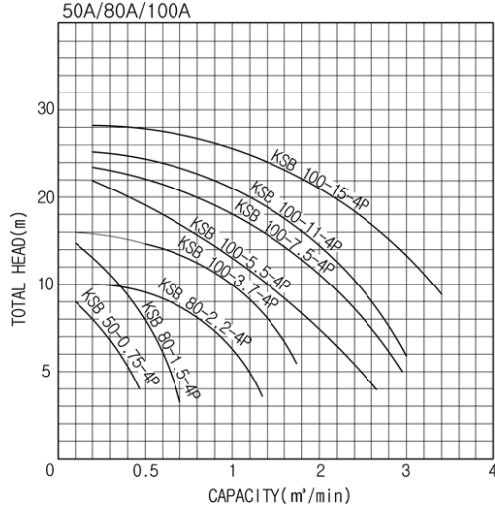
Standard Specification

No	Model	Bore	Power		Capacity m ³ /min	Head m	Revolution rpm
		mm	HP	kW			
1	KSB50-0.75-4P	50	1	0.75	0.2	8	1800
2	KSB80-1.5-4P	80	2	1.5	0.5	8	1800
3	KSB80-2.2-4P	80	3	2.2	0.6	10	1800
4	KSB100-3.7-4P	100	5	3.7	1.0	10	1800
5	KSB100-5.5-4P	100	7.5	5.5	1.0	14	1800
6	KSB100-7.5-4P	100	10	7.5	1.0	18	1800
7	KSB100-11-4P	100	15	11	0.8	20	1800
8	KSB100-15-4P	100	20	15	1.2	22	1800
9	KSB150-5.5-4P	150	7.5	5.5	2.5	6	1800
10	KSB150-7.5-4P	150	10	7.5	2.5	9	1800
11	KSB150-11-4P	150	15	11	2.5	15	1800
12	KSB150-15-4P	150	20	15	2.5	20	1800
13	KSB150-22-4P	150	30	22	2.5	25	1800
14	KSB150-30-4P	150	40	30	2.5	30	1800
15	KSB150-37-4P	150	50	37	2.9	33	1800
16	KSB150-45-4P	150	60	45	2.9	37	1800
17	KSB150-55-4P	150	75	55	2.9	40	1800
18	KSB200-11-4P	200	15	11	4.5	10	1800
19	KSB200-15-4P	200	20	15	4.5	14	1800
20	KSB200-22-4P	200	30	22	4.5	18	1800
21	KSB200-30-4P	200	40	30	4.5	22	1800
22	KSB200-37-4P	200	50	37	4.5	28	1800
23	KSB200-45-4P	200	60	45	4.5	32	1800
24	KSB200-55-4P	200	75	55	4.5	40	1800
25	KSB200-75-4P	200	100	75	4.5	55	1800
26	KSB250-11-4P	250	15	11	7.0	6	1200
27	KSB250-15-4P	250	20	15	7.0	9	1200
28	KSB250-22-4P	250	30	22	7.0	11	1800
29	KSB250-30-4P	250	40	30	7.0	14	1800
30	KSB250-37-4P	250	50	37	7.0	19	1800
31	KSB250-45-4P	250	60	45	7.0	24	1800
32	KSB250-55-4P	250	75	55	7.0	30	1800
33	KSB250-75-4P	250	100	75	7.0	40	1800

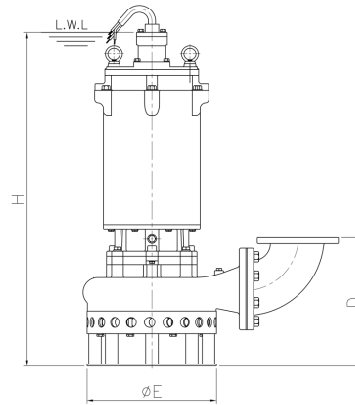
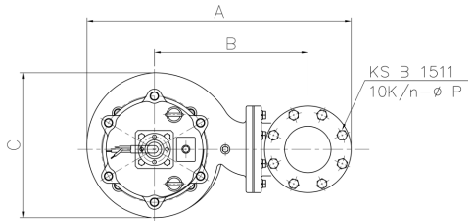


No	Model	Bore	Power		Capacity m ³ /min	Head m	Revolution rpm
		mm	HP	kW			
34	KSB300-15-6P	300	20	15	10	6	1200
35	KSB300-22-6P	300	30	22	10	9	1200
36	KSB300-30-6P	300	40	30	10	11	1200
37	KSB300-37-6P	300	50	37	10	15	1200
38	KSB300-45-6P	300	60	45	10	18	1200
39	KSB300-55-6P	300	75	55	10	21	1200
40	KSB300-75-4P	300	100	75	10	31	1800
41	KSB350-22-6P	350	30	22	15	6	900
42	KSB350-30-6P	350	40	30	15	7.5	1200
43	KSB350-37-6P	350	50	37	15	9	1200
44	KSB350-45-6P	350	60	45	15	12	1200
45	KSB350-55-6P	350	75	55	15	14	1200
46	KSB350-75-6P	350	100	75	15	20	1200
47	KSB400-37-6P	400	50	37	20	7	1200
48	KSB400-45-6P	400	60	45	20	9	1200
49	KSB400-55-6P	400	75	55	20	12	1200
50	KSB400-75-6P	400	100	75	20	16	1200
51	KSB500-37-12P	500	50	37	30	5	600
52	KSB500-45-8P	500	60	45	30	6	900
53	KSB500-55-8P	500	75	55	30	7.5	900
54	KSB500-75-6P	500	100	75	30	10	1200

Selection Charts



Outline Dimensions



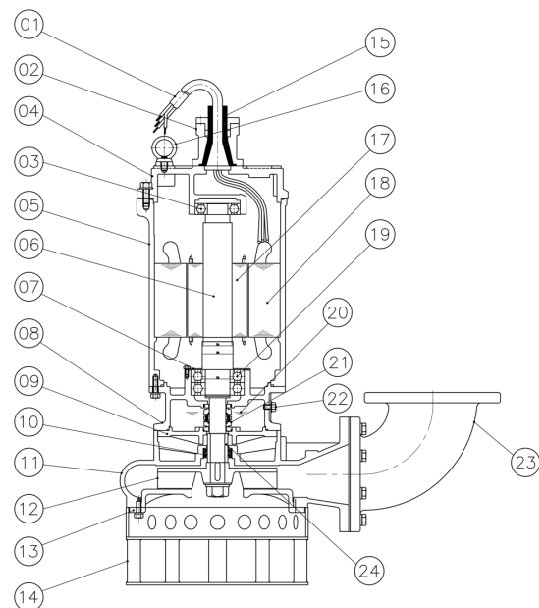
No	Model	A	B	C	D	ØE	H	n	ØP	kg
1	KSB50-0.75-4P	462	245	278	215	280	462	4	19	45
2	KSB50-1.5-4P	462	245	278	215	280	462	4	19	50
3	KSB80-2.2-4P	612	329	380	265	370	608	8	19	95
4	KSB100-3.7-4P	612	329	380	265	370	608	8	19	108
5	KSB100-5.5-4P	655	363	385	299	370	704	8	19	150
6	KSB100-7.5-4P	655	363	385	299	370	704	8	19	170
7	KSB100-11-4P	743	413	450	330	450	916	8	19	200
8	KSB100-15-4P	743	413	450	330	450	916	8	19	230
9	KSB150-5.5-4P	807	452	445	346	370	742	8	23	155
10	KSB150-7.5-4P	807	452	445	346	370	742	8	23	180
11	KSB150-11-4P	870	498	452	387	450	953	8	23	205
12	KSB150-15-4P	870	498	452	387	450	953	8	23	240
13	KSB150-22-4P	873	498	471	438	442	1132	8	23	382
14	KSB150-30-4P	873	498	471	438	442	1132	8	23	420
15	KSB150-37-4P	873	498	471	438	442	1132	8	23	450
16	KSB150-45-4P	1041	590	555	439	439	1263	8	23	650
17	KSB150-55-4P	1041	590	555	439	439	1263	8	23	690
18	KSB200-11-4P	894	504	431	462	450	985	12	23	280
19	KSB200-15-4P	894	504	431	462	450	985	12	23	315
20	KSB200-22-4P	1125	635	650	497	442	1176	12	23	390
21	KSB200-30-4P	1125	635	650	497	442	1176	12	23	450
22	KSB200-37-4P	1125	635	650	497	442	1176	12	23	480
23	KSB200-45-4P	1125	635	650	497	442	1176	12	23	690
24	KSB200-55-4P	1125	635	650	497	442	1176	12	23	710
25	KSB200-75-4P	1125	635	650	497	442	1176	12	23	730
26	KSB250-11-4P	1215	691	656	557	442	1013	12	25	295
27	KSB250-15-4P	1215	691	656	557	442	1013	12	25	330

No	Model	A	B	C	D	ØE	H	n	ØP	kg
28	KSB250-22-4P	1215	691	656	557	442	1177	12	25	425
29	KSB250-30-4P	1215	691	656	557	442	1177	12	25	480
30	KSB250-37-4P	1215	691	656	557	442	1177	12	25	520
31	KSB250-45-4P	1255	730	656	552	480	1262	12	25	720
32	KSB250-55-4P	1255	730	656	552	480	1262	12	25	740
33	KSB250-75-4P	1255	730	656	552	480	1372	12	25	790
34	KSB300-15-6P	1386	799	708	635	620	1093	16	25	380
35	KSB300-22-6P	1386	799	708	635	620	1257	16	25	480
36	KSB300-30-6P	1386	799	708	635	620	1257	16	25	560
37	KSB300-37-6P	1386	799	708	635	620	1257	16	25	660
38	KSB300-45-6P	1386	799	708	635	620	1305	16	25	770
39	KSB300-55-6P	1386	799	708	635	620	1305	16	25	790
40	KSB300-75-4P	1386	799	708	635	620	1415	16	25	870
41	KSB350-22-6P	1619	930	836	742	821	1347	16	25	550
42	KSB350-30-6P	1619	930	836	742	821	1347	16	25	620
43	KSB350-37-6P	1619	930	836	742	821	1361	16	25	730
44	KSB350-45-6P	1619	930	836	742	821	1395	16	25	790
45	KSB350-55-6P	1619	930	836	742	821	1395	16	25	830
46	KSB350-75-6P	1619	930	836	742	821	1505	16	25	960
47	KSB400-37-6P	1821	1113	8472	828	821	1463	16	27	780
48	KSB400-45-6P	1821	1113	8472	828	821	1497	16	27	845
49	KSB400-55-6P	1821	1113	8472	828	821	1497	16	27	870
50	KSB400-75-6P	1821	1113	8472	828	821	1607	16	27	1100
51	KSB500-37-12P	2212	1319	1118	950	1100	1489	20	27	860
52	KSB500-45-8P	2212	1319	1118	950	1100	1523	20	27	930
53	KSB500-55-8P	2212	1319	1118	950	1100	1523	20	27	1050
54	KSB500-75-6P	2212	1319	1118	950	1100	1633	20	27	1280

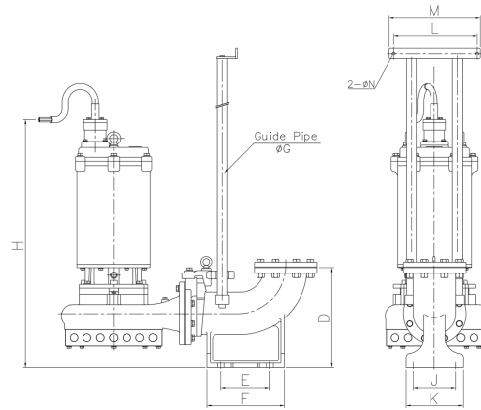
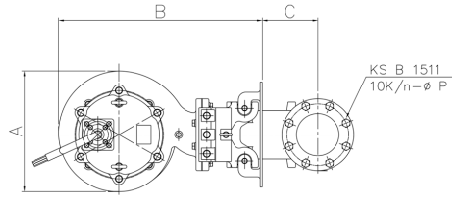
※ 상기 치수는 제작에 따라 다소 차이가 날 수 있습니다.

Sectional Drawing

NO.	PART NAME	MATERIAL
1	CAP TYRE CABLE	PNCT
2	CABLE COVER	GC 200
3	UPPER BEARING	STB 2
4	MOTOR BRACKET	GC 200
5	MOTOR FRAME	GC 200
6	SHAFT	STS 410
7	BEARING COVER	SS 400
8	BEARING HOUSING	GC 200
9	SEAL CHAMBER	GC 200
10	OIL SEAL	N.B.R
11	PUMP CASING	GC 200
12	IMPELLER	GCD 450
13	SUCTION COVER	GCD 450
14	STAND	SS 400
15	PROTECTED	NBR
16	EYE BOLT	STS 304
17	ROTOR	S-60
18	STATOR	S-60
19	LOWER BEARING	STS 2
20	OIL	TURBINE OIL
21	MECHANICAL SEAL	SIC/SIC
22	OIL BOLT	STS 304
23	ELBOW	GC 200
24	SLEEVE	GC 200



Auto Derail and Setter Dimensions



No	Model	A	B	C	D	E	F	G	H	I	J	K	L	M	N	n	ΦP	kg
1	KSB50-0.75-4P	254	463	152	195	137	190	25	450	40	97	122	209	257	13	4	19	45
2	KSB50-1.5-4P	254	463	152	195	137	190	25	450	40	97	122	209	257	13	4	19	50
3	KSB80-2.2-4P	356	571	237	320	154	235	32	643	62	150	190	249	303	13	8	19	95
4	KSB100-3.7-4P	356	571	237	320	154	235	32	643	62	150	190	249	303	13	8	19	108
5	KSB100-5.5-4P	365	576	237	320	154	235	32	740	62	150	190	249	303	13	8	19	150
6	KSB100-7.5-4P	365	576	237	320	154	235	32	740	62	150	190	249	303	13	8	19	170
7	KSB100-11-4P	391	636	237	320	154	235	32	917	62	150	190	249	303	13	8	19	200
8	KSB100-15-4P	391	636	237	320	154	235	32	917	62	150	190	249	303	13	8	19	230
9	KSB150-5.5-4P	442	787	358	450	240	350	40	816	70	190	255	372	410	18	8	23	155
10	KSB150-7.5-4P	442	787	358	450	240	350	40	816	70	190	255	372	410	18	8	23	180
11	KSB150-11-4P	442	715	358	450	240	350	40	1024	70	190	255	375	410	18	8	23	205
12	KSB150-15-4P	442	715	358	450	240	350	40	1024	70	190	255	375	410	18	8	23	240
13	KSB150-22-4P	471	791	358	450	240	350	40	1114	70	190	255	375	410	18	8	23	382
14	KSB150-30-4P	471	791	358	450	240	350	40	1114	70	190	255	375	410	18	8	23	420
15	KSB150-37-4P	471	791	358	450	240	350	40	1114	70	190	255	375	410	18	8	23	450
16	KSB150-45-4P	584	913	358	450	240	350	40	1234	70	190	255	375	410	18	8	23	650
17	KSB150-55-4P	584	913	358	450	240	350	40	1234	70	190	255	375	410	18	8	23	690
18	KSB200-11-4P	435	742	453	550	340	440	40	1078	75	300	400	464	538	18	12	23	280
19	KSB200-15-4P	435	742	453	550	340	440	40	1078	75	300	400	464	538	18	12	23	315
20	KSB200-22-4P	650	981	453	550	340	440	40	1236	75	300	400	464	538	18	12	23	390
21	KSB200-30-4P	650	981	453	550	340	440	40	1236	75	300	400	464	538	18	12	23	450
22	KSB200-37-4P	650	981	453	550	340	440	40	1236	75	300	400	464	538	18	12	23	480
23	KSB200-45-4P	650	983	453	550	340	440	40	1321	75	300	400	464	538	18	12	23	690
24	KSB200-55-4P	650	983	453	550	340	440	40	1321	75	300	400	464	538	18	12	23	710
25	KSB200-75-4P	650	983	453	550	340	440	40	1431	75	300	400	464	538	18	12	23	730
26	KSB250-11-4P	656	982	538	630	430	560	40	1095	75	360	460	464	538	18	12	25	295
27	KSB250-15-4P	656	982	538	630	430	560	40	1095	75	360	460	464	538	18	12	25	330
28	KSB250-22-4P	656	982	538	630	430	560	40	1220	75	360	460	464	538	18	12	25	425
29	KSB250-30-4P	656	982	538	630	430	560	40	1220	75	360	460	464	538	18	12	25	480
30	KSB250-37-4P	656	982	538	630	430	560	40	1220	75	360	460	464	538	18	12	25	520
31	KSB250-45-4P	656	1021	538	630	430	560	40	1308	75	360	460	646	538	18	12	25	720
32	KSB250-55-4P	656	1021	538	630	430	560	40	1308	75	360	460	646	538	18	12	25	740
33	KSB250-75-4P	656	1021	538	630	430	560	40	1418	75	360	460	646	538	18	12	25	790
34	KSB300-15-6P	708	1130	640	808	458	630	65	1193	80	430	530	567	680	18	16	25	380
35	KSB300-22-6P	708	1130	640	808	458	630	65	1357	80	430	530	567	680	18	16	25	480
36	KSB300-30-6P	708	1130	640	808	458	630	65	1357	80	430	530	567	680	18	16	25	560
37	KSB300-37-6P	708	1130	640	808	458	630	65	1357	80	430	530	567	680	18	16	25	660
38	KSB300-45-6P	708	1130	640	808	458	630	65	1405	80	430	530	567	680	18	16	25	770
39	KSB300-55-6P	708	1130	640	808	458	630	65	1405	80	430	530	567	680	18	16	25	790
40	KSB300-75-4P	708	1130	640	808	458	630	65	1515	80	430	530	567	680	18	16	25	870
41	KSB350-22-6P	836	1130	640	808	458	630	65	1357	80	430	530	567	680	18	16	25	550
42	KSB350-30-6P	836	1130	640	808	458	630	65	1357	80	430	530	567	680	18	16	25	620
43	KSB350-37-6P	836	1130	640	808	458	630	65	1321	80	430	530	567	680	18	16	25	730
44	KSB350-45-6P	836	1130	640	808	458	630	65	1405	80	430	530	567	680	18	16	25	790
45	KSB350-55-6P	836	1130	640	808	458	630	65	1405	80	430	530	567	680	18	16	25	830
46	KSB350-75-6P	836	1130	640	808	458	630	65	1515	80	430	530	567	680	18	16	25	960
47	KSB400-37-6P	842	1516	710	1070	610	750	80	1556	100	550	650	700	820	24	16	27	780
48	KSB400-45-6P	842	1516	710	1070	610	750	80	1664	100	550	650	700	820	24	16	27	845
49	KSB400-55-6P	842	1516	710	1070	610	750	80	1664	100	550	650	700	820	24	16	27	780
50	KSB400-75-6P	842	1516	710	1070	610	750	80	1764	100	550	650	700	820	24	16	27	1100
51	KSB500-37-12P	1118	1710	770	1250	660	800	80	1691	130	600	700	750	880	24	20	27	860
52	KSB500-45-8P	1118	1710	770	1250	660	800	80	1779	130	600	700	750	880	24	20	27	930
53	KSB500-55-8P	1118	1710	770	1250	660	800	80	1779	130	600	700	750	880	24	20	27	1050
54	KSB500-75-6P	1118	1710	770	1250	660	800	80	1889	130	600	700	750	880	24	20	27	1280

※ 상기 치수는 제작에 따라 다소 차이가 날 수 있습니다.