



Applications

- 분뇨처리의 생분뇨, 분뇨협잡물, 침전조의 농축슬러지 이송
- 오.폐수 처리시 각종 폐기물, 오물질, 침전물질, 고형물질의 이송
- 석유, 화학업의 케미컬 슬러지 및 침전물, 부유물 이송
- 각종 침전물이 많은 고형물 원수 및 슬러지 이송용

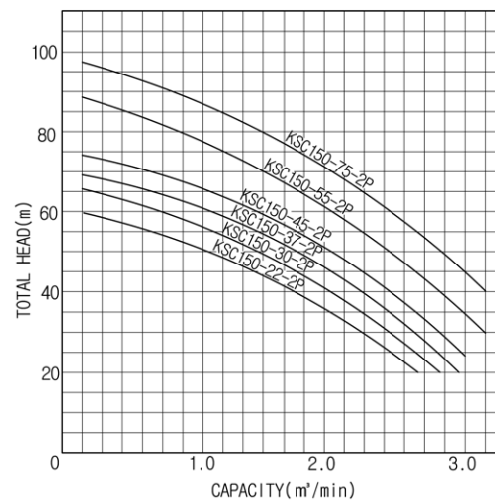
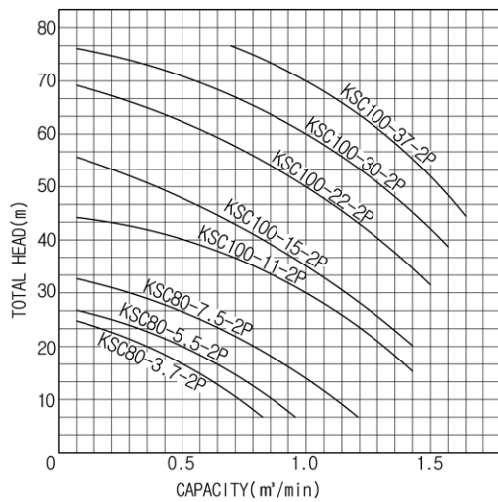
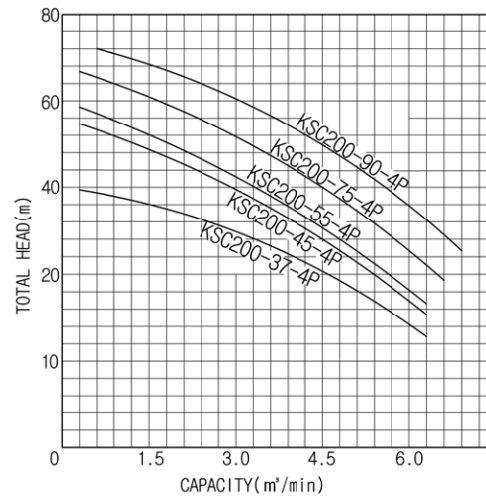
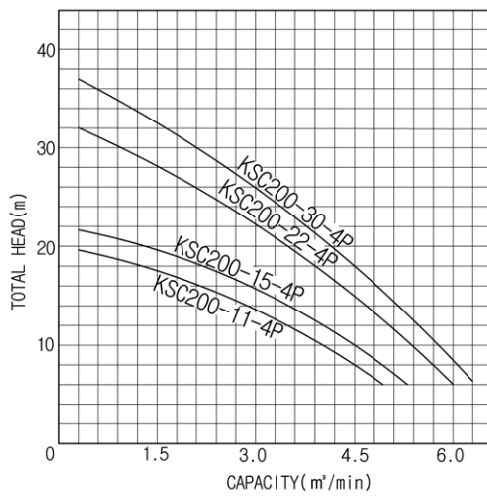
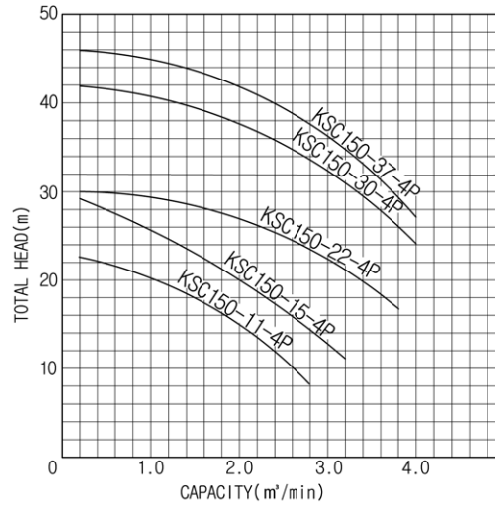
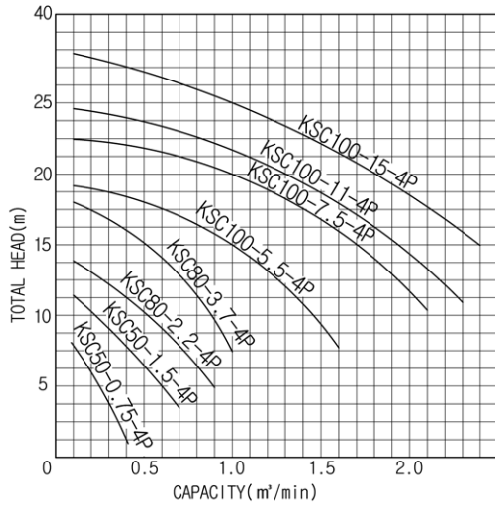
Features

- 특수 임펠러의 구조로 고형물, 침전물의 효율적 이송효과
- 고형물의 걸림, 감김 현상이 기존 제품군 기준 개선효과 극대화

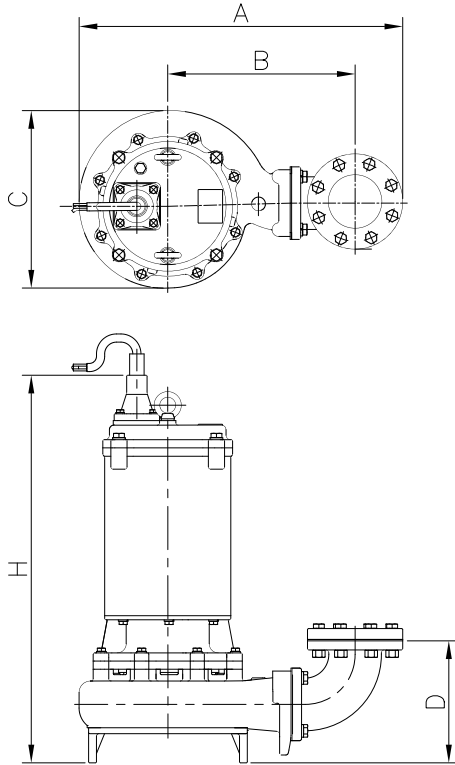
Standard Specification

No	Model	Bore	Power		Capacity	Head	Revolution	Note
		mm	HP	kW	m ³ /min	m	rpm	
1	KSC 50-0.75-4P	50	1	0.75	0.2	6	1800	
2	KSC 80-1.5-4P	80	2	1.5	0.3	8	1800	
3	KSC 80-2.2-4P	80	3	2.2	0.5	8	1800	
4	KSC 100-3.7-4P	100	5	3.7	0.8	10	1800	
5	KSC 100-5.5-4P	100	7.5	5.5	1.2	12	1800	
6	KSC 100-7.5-4P	100	10	7.5	1.0	15	1800	
7	KSC 100-11-4P	100	15	11	1.0	22	1800	
8	KSC 100-15-4P	100	20	15	1.0	25	1800	
9	KSC 150-11-4P	150	15	11	2.0	15	1800	
10	KSC 150-15-4P	150	20	15	2.0	20	1800	
11	KSC 150-22-4P	150	30	22	2.5	25	1800	
12	KSC 150-30-4P	150	40	30	2.5	30	1800	
13	KSC 150-37-4P	150	50	37	2.5	35	1800	
14	KSC 200-11-4P	200	15	11	4.5	8	1800	
15	KSC 200-15-4P	200	20	15	4.5	10	1800	
16	KSC 200-22-4P	200	30	22	4.5	15	1800	
17	KSC 200-30-4P	200	40	30	4.5	18	1800	
18	KSC 200-37-4P	200	50	37	4.5	22	1800	
19	KSC 200-45-4P	200	60	45	4.5	28	1800	
20	KSC 200-55-4P	200	75	55	4.5	32	1800	
21	KSC 200-75-4P	200	100	75	4.5	40	1800	
22	KSC 200-90-4P	200	120	90	4.5	50	1800	
23	KSC 80-3.7-2P	100	5	3.7	0.3	20	3600	
24	KSC 80-5.5-2P	100	7.5	5.5	0.5	20	3600	
25	KSC 80-7.5-2P	100	10	7.5	0.6	25	3600	
26	KSC 100-11-2P	100	15	11	1.0	30	3600	
27	KSC 100-15-2P	100	20	15	1.0	35	3600	
28	KSC 100-22-2P	150	30	22	1.0	50	3600	
29	KSC 100-30-2P	150	40	40	1.0	60	3600	
30	KSC 100-37-2P	150	50	37	2.0	70	3600	
31	KSC 150-22-2P	150	30	22	2.0	35	3600	
32	KSC 150-30-2P	150	40	30	2.0	40	3600	
33	KSC 150-37-2P	150	50	37	2.0	45	3600	
34	KSC 150-45-2P	150	60	45	2.0	50	3600	
35	KSC 150-55-2P	150	75	55	2.0	60	3600	
36	KSC 150-75-2P	150	100	75	2.0	70	3600	

Selection Charts



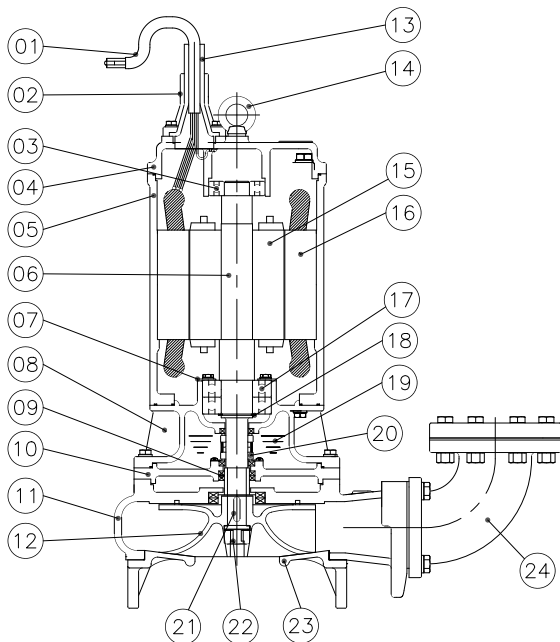
Outline Dimensions



No.	Model	A	B	C	D	H	kg
1	KSC 50-0.75-4P	462	245	278	215	462	45
2	KSC 50-1.5-4P	462	245	278	215	462	47
3	KSC 80-2.2-4P	612	329	355	232	572	95
4	KSC 100-3.7-4P	612	353	358	261	572	108
5	KSC 100-5.5-4P	655	363	365	279	684	150
6	KSC 100-7.5-4P	655	363	365	279	684	170
7	KSC 100-11-4P	743	413	391	310	896	200
8	KSC 100-15-4P	743	413	391	310	896	230
9	KSC 150-11-4P	807	452	442	326	933	205
10	KSC 150-15-4P	807	452	442	326	933	240
11	KSC 150-22-4P	873	498	471	408	1112	382
12	KSC 150-30-4P	873	498	471	408	1112	420
13	KSC 150-37-4P	873	498	471	408	1112	450
14	KSC 200-11-4P	894	504	435	432	965	280
15	KSC 200-15-4P	894	504	435	432	965	315
16	KSC 200-22-4P	1125	635	650	477	1156	395
17	KSC 200-30-4P	1125	635	650	477	1156	450
18	KSC 200-37-4P	1125	635	650	477	1156	480
19	KSC 200-45-4P	1125	691	650	517	1242	650
20	KSC 200-55-4P	1125	691	650	517	1242	710
21	KSC 200-75-4P	1125	691	650	517	1242	730
22	KSC 200-90-4P	1255	730	650	537	1352	830
23	KSC 80-3.7-2P	517	284	255	215	533	77
24	KSC 80-5.5-2P	517	284	255	215	533	82
25	KSC 80-7.5-2P	517	284	255	215	578	97
26	KSC 100-11-2P	644	353	316	263	737	155
27	KSC 100-15-2P	644	353	316	263	737	160
28	KSC 100-22-2P	713	413	391	302	912	282
29	KSC 100-30-2P	713	413	391	302	912	305
30	KSC 100-37-2P	713	413	391	305	912	330
31	KSC 150-22-2P	873	498	471	348	958	308
32	KSC 150-30-2P	873	498	471	348	958	350
33	KSC 150-37-2P	873	498	471	348	958	360
34	KSC 150-45-2P	873	498	471	448	1152	580
35	KSC 150-55-2P	873	498	471	448	1152	590
36	KSC 150-75-2P	889	508	478	465	1371	770

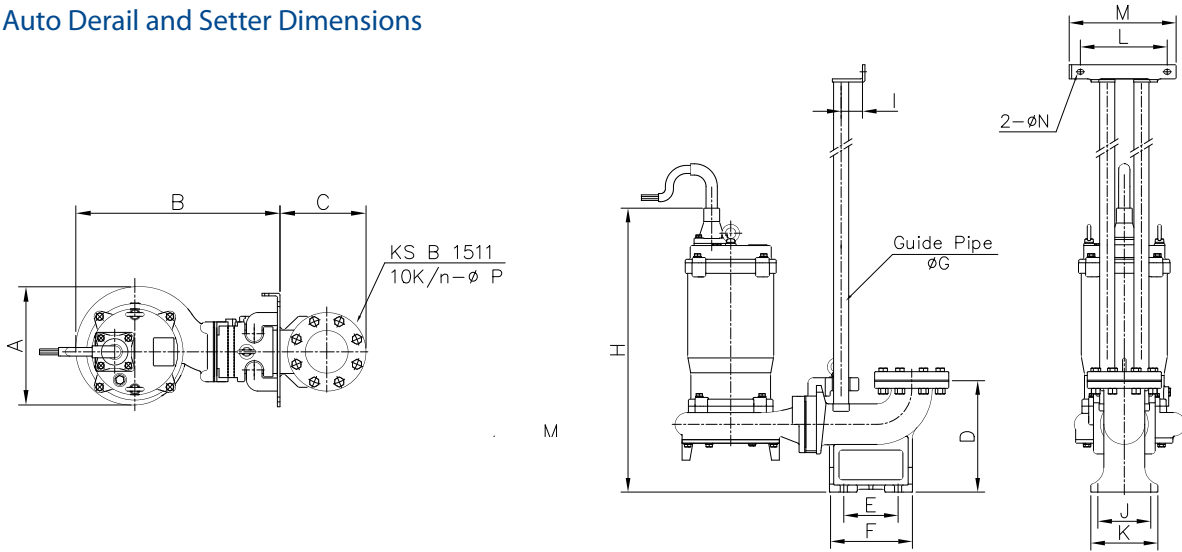
※ 상기 치수는 제작에 따라 다소 차이가 날 수 있습니다.
 ※ 자동탈착 형식은 당사에 문의 하시기 바랍니다.

Sectional Drawing



NO.	PART NAME	MERTERIAL
1	CAP TYRE CABLE	PNCT
2	CABLE COVER	GC 200
3	UPPER BEARING	STB 2
4	MOTOR BRAKET	GC 200
5	MOTOR FRAME	GC 200
6	SHAFT	STS 410
7	BEARING COVER	SS 400
8	BEARING HOUSING	GC 200
9	OIL SEAL	N.B.R
10	SEAL CHAMBER	GC 200
11	PUMP CASING	GC 200
12	IMPELLER	SSC 13
13	PROTECTED	NBR
14	EYE BOLT	STS 304
15	STATOR	S-60
16	ROTOR	S-60
17	LOWER BEARING	STS 2
18	SNAP RING	SS 400
19	OIL	TURBINE OIL
20	MECHANICAL SEAL	SIC/SIC
21	KEY	STS 304
22	IMPELLER NUT	STS 304
23	SUCTION COVER	GCD 450
24	ELBOW	GC 200

Auto Derail and Setter Dimensions



No	Model	A	B	C	D	E	F	G	H	I	J	K	L	M	N	n	øP	kg
1	KSC 50-0.75-4P	254	463	152	195	137	190	25	450	40	97	122	209	257	13	4	19	45
2	KSC 50-1.5-4P	254	463	152	195	137	190	25	450	40	97	122	209	257	13	4	19	47
3	KSC 80-2.2-4P	355	603	205	315	154	235	32	643	62	150	190	249	303	13	8	19	95
4	KSC 100-3.7-4P	355	603	205	315	154	235	32	643	62	150	190	249	303	13	8	19	95
5	KSC 100-5.5-4P	365	608	205	314	154	235	32	740	62	150	190	249	303	13	8	19	150
6	KSC 100-7.5-4P	365	608	205	314	154	235	32	740	62	150	190	249	303	13	8	19	170
7	KSC 100-11-4P	391	668	205	314	154	235	32	917	62	150	190	249	303	13	8	19	200
8	KSC 100-15-4P	391	668	205	314	154	235	32	917	62	150	190	249	303	13	8	19	230
9	KSC 150-11-4P	442	791	343	450	240	350	40	1024	70	190	255	375	410	18	8	23	205
10	KSC 150-15-4P	442	791	343	450	240	350	40	1024	70	190	255	375	410	18	8	23	240
11	KSC 150-22-4P	471	802	357	450	240	350	40	1114	70	190	255	375	410	18	8	23	382
12	KSC 150-30-4P	471	802	357	450	240	350	40	1114	70	190	255	375	410	18	8	23	420
13	KSC 150-37-4P	471	802	357	450	240	350	40	1114	70	190	255	375	410	18	8	23	450
14	KSC 200-11-4P	435	742	453	550	340	440	40	1078	75	300	400	464	538	18	12	23	280
15	KSC 200-15-4P	435	742	453	550	340	440	40	1078	75	300	400	464	538	18	12	23	315
16	KSC 200-22-4P	650	983	453	550	340	440	40	1236	75	300	400	464	538	18	12	23	395
17	KSC 200-30-4P	650	983	453	550	340	440	40	1236	75	300	400	464	538	18	12	23	450
18	KSC 200-37-4P	650	983	453	550	340	440	40	1236	75	300	400	464	538	18	12	23	480
19	KSC 200-45-4P	650	983	453	550	340	440	40	1323	75	300	400	464	538	18	12	23	690
20	KSC 200-55-4P	650	983	453	550	340	440	40	1323	75	300	400	464	538	18	12	23	710
21	KSC 200-75-4P	650	983	453	550	340	440	40	1433	75	300	400	464	538	18	12	23	730
22	KSC 200-90-4P	650	983	453	550	340	440	40	1433	75	300	400	464	538	18	12	23	830
23	KSC 80-3.7-2P	255	467	181	255	102	170	25	579	64	100	150	209	257	13	8	19	77
24	KSC 80-5.5-2P	255	467	181	255	102	170	25	579	64	100	150	209	257	13	8	19	82
25	KSC 80-7.5-2P	255	467	181	255	102	170	25	624	64	100	150	209	257	13	8	19	97
26	KSC 100-11-2P	316	571	205	314	154	235	32	806	67	150	190	255	294	18	8	19	155
27	KSC 100-15-2P	316	571	205	314	154	235	32	806	67	150	190	255	294	18	8	19	160
28	KSC 100-22-2P	391	668	205	314	154	235	32	940	67	150	190	255	294	18	8	19	282
29	KSC 100-30-2P	391	668	205	314	154	235	32	940	67	150	190	255	294	18	8	19	305
30	KSC 100-37-2P	391	668	205	314	154	235	32	940	67	150	190	255	294	18	8	19	330
31	KSC 150-22-2P	471	806	343	450	240	350	40	1031	70	190	255	375	410	18	8	23	308
32	KSC 150-30-2P	471	806	343	450	240	350	40	1031	70	190	255	375	410	18	8	23	350
33	KSC 150-37-2P	471	806	343	450	240	350	40	1031	70	190	255	375	410	18	8	23	360
34	KSC 150-45-2P	471	806	343	450	240	350	40	1114	70	190	255	375	410	18	8	23	580
35	KSC 150-55-2P	471	806	343	450	240	350	40	1114	70	190	255	375	410	18	8	23	590
36	KSC 150-75-2P	471	806	357	450	240	350	40	1326	70	190	255	375	410	18	8	23	770

※ 상기 치수는 제작에 따라 다소 차이가 날 수 있습니다.