



### Applications

- 산업현장, 빌딩, 공장의 오수 · 배수용
- 지하철역 PIT내 오수 · 배수용
- 합병처리장, 지하상가 오수 · 배수용
- 정화조 집수정 소포, 방류배수용
- 기타 고양정 배수용

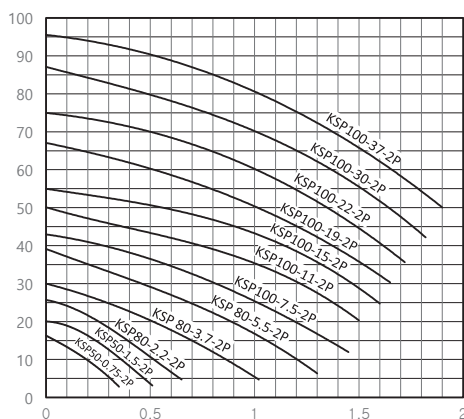
### Features

- 고효율, 고양정 임펠러 사용으로 배수비용 절감
- Duple Mechanical Seal사용으로 누수방지 효과
- 자동탈착장치가 적용되는 고양정용

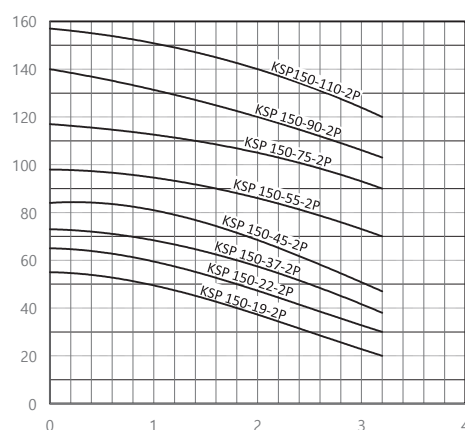
### Standard Specification

No	Model	Bore	Power		Capacity	Head	Revolution	Note
		mm	HP	kW	m <sup>3</sup> /min	m	rpm	
1	KSP 50-0.75-2P	50	1	0.75	0.16	10	3600	
2	KSP 50-1.5-2P	50	2	1.5	0.25	15	3600	
3	KSP 80-2.2-2P	80	3	2.2	0.3	20	3600	
4	KSP 80-3.7-2P	80	5	3.7	0.5	20	3600	
5	KSP 80-5.5-2P	80	7.5	5.5	0.6	25	3600	
6	KSP 100-7.5-2P	100	10	7.5	0.8	30	3600	
7	KSP 100-11-2P	100	15	11	1.0	35	3600	
8	KSP 100-15-2P	100	20	15	1.2	40	3600	
9	KSP 100-19-2P	100	25	19	1.0	50	3600	
10	KSP 100-22-2P	100	30	22	1.0	60	3600	
11	KSP 100-30-2P	100	40	30	1.0	70	3600	
12	KSP 100-37-2P	100	50	37	1.0	80	3600	
13	KSP 150-22-2P	150	30	22	2.5	30	3600	
14	KSP 150-30-2P	150	40	30	2.5	40	3600	
15	KSP 150-37-2P	150	50	37	2.5	50	3600	
16	KSP 150-45-2P	150	60	45	2.5	60	3600	
17	KSP 150-55-2P	150	75	55	2.5	80	3600	
18	KSP 150-75-2P	150	100	75	2.0	105	3600	
19	KSP 150-90-2P	150	120	90	2.0	120	3600	
20	KSP 150-110-2P	150	150	110	2.0	140	3600	

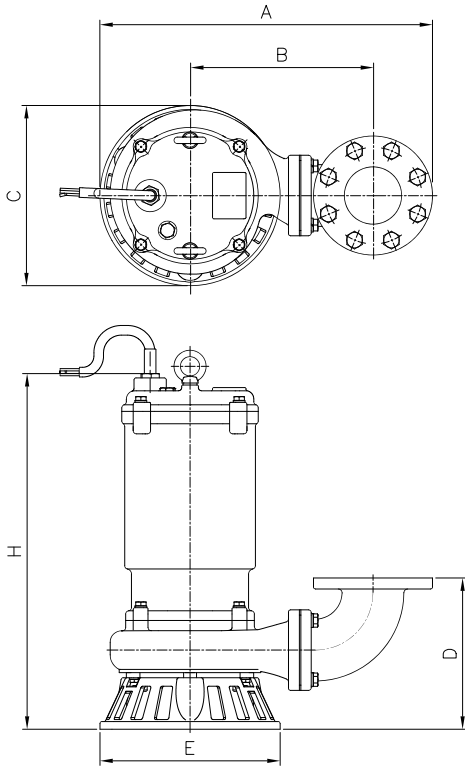
### Selection Charts



### Selection Charts



### Outline Dimensions

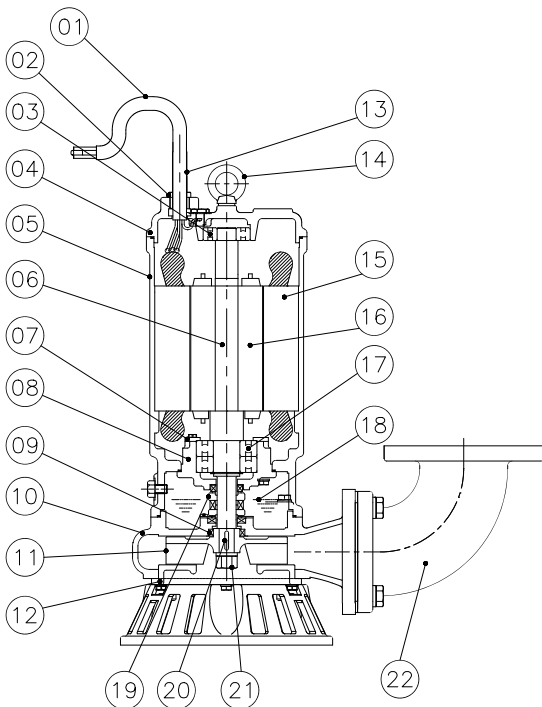


No.	Model	Bore $\phi$	A	B	C	D	E	H
1	KSP 50-0.75-2P	50	373	206	178	147	130	366
2	KSP 50-1.5-2P	50	415	215	244	201	244	440
3	KSP 80-2.2-2P	80	457	242	244	228	244	440
4	KSP 80-3.7-2P	80	517	284	280	235	280	553
5	KSP 80-5.5-2P	80	517	284	280	235	280	553
6	KSP 100-7.5-2P	100	558	313	280	236	280	598
7	KSP 100-11-2P	100	644	353	370	283	370	757
8	KSP 100-15-2P	100	644	353	370	283	370	757
9	KSP 100-19-2P	100	713	413	391	322	354	932
10	KSP 100-22-2P	100	713	413	391	322	354	932
11	KSP 100-30-2P	100	713	413	391	322	354	1002
12	KSP 100-37-2P	100	713	413	391	322	354	1002
13	KSP 150-22-2P	150	873	498	472	378	440	988
14	KSP 150-30-2P	150	873	498	472	378	440	988
15	KSP 150-37-2P	150	873	498	472	378	440	988
16	KSP 150-45-2P	150	873	498	472	498	445	1192
17	KSP 150-55-2P	150	873	498	472	498	445	1192
18	KSP 150-75-2P	150	889	508	478	495	445	1401
19	KSP 150-90-2P	150	889	508	478	495	445	1401
20	KSP 150-110-2P	150	889	508	478	495	445	1401

※ 상기 치수는 제작에 따라 다소 차이가 날 수 있습니다.

※ 자동탈착 형식은 당사에 문의 하시기 바랍니다.

### Sectional Drawing



NO.	PART NAME	MERTERIAL
1	CAP TYRE CABLE	PNCT
2	CABLE COVER	GC 200
3	UPPER BEARING	STB 2
4	MOTOR BRACKET	GC 200
5	MOTOR FRAME	GC 200
6	SHAFT	STS 410
7	BEARING COVER	SS 400
8	BEARING HOUSING	GC 200
9	OIL SEAL	STS 304
10	PUMP CASING	GC 200
11	IMPELLER	GCD 450
12	SUCTION COVER	GCD 450
13	PROTECTED	NBR
14	EYE BOLT	STS 304
15	ROTOR	S-60
16	STATOR	S-60
17	LOWER BEARING	STS 2
18	OIL	TURBINE OIL
19	MECHANICAL SEAL	SIC/SIC
20	KEY	STS 304
21	HEXAGON NUT	STS 304
22	ELBOW	GC 200